



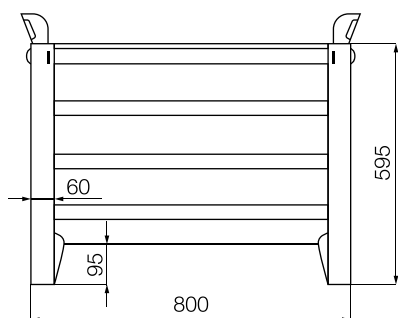
Between human and nature

Steel storage boxes USBL

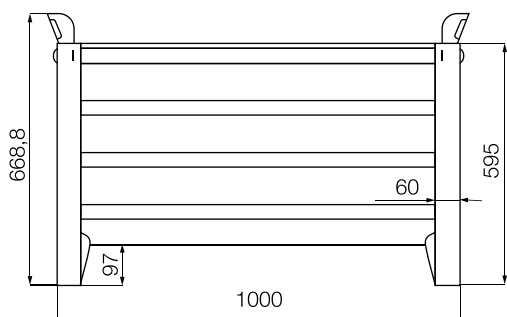
USBL containers are intended for storing and transporting material. Thanks to its robust construction, it can withstand everyday use. Maximum stackability of 5 pieces. Handling possible with a forklift or crane. USBL containers manufactured with a floor/wall thickness of 1.5/1.5 mm, corner reinforcements and lifting eyes of 3 mm. Surface treatment by hot-dip galvanizing.

Technical parameters

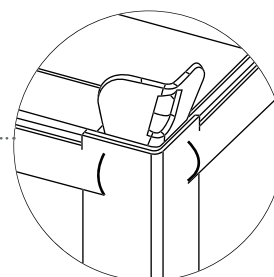
Type	volume (l)	length (mm)	width (mm)	height (mm)	load capacity (kg)	mass (kg)
USBL 0,3	350	1000	800	600	2000	49
USBL 0,4	410	1200	800	600	2000	53



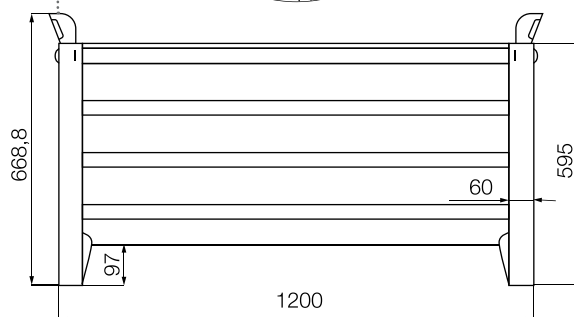
USBL 0,3, 0,4



USBL 0,3



Lifting eye detail



USBL 0,4



ELKOPLAST CZ, s.r.o.

Štefánikova 2664
760 01 Zlín
Czech Republic
e-mail: elkoplast@elkoplast.cz
tel.: +420 575 571 000



www.elkoplast.eu